



## VACUUM REGULATORS

series **M 40 C**

**Capacity up to 40 kg/h**

### GENERAL

Vacuum Regulators M 40 C are designed to feed larger amounts of gas chlorine and with minor alterations also for other gases, working on the indirect vacuum principle.

M 40 C regulators consist of:

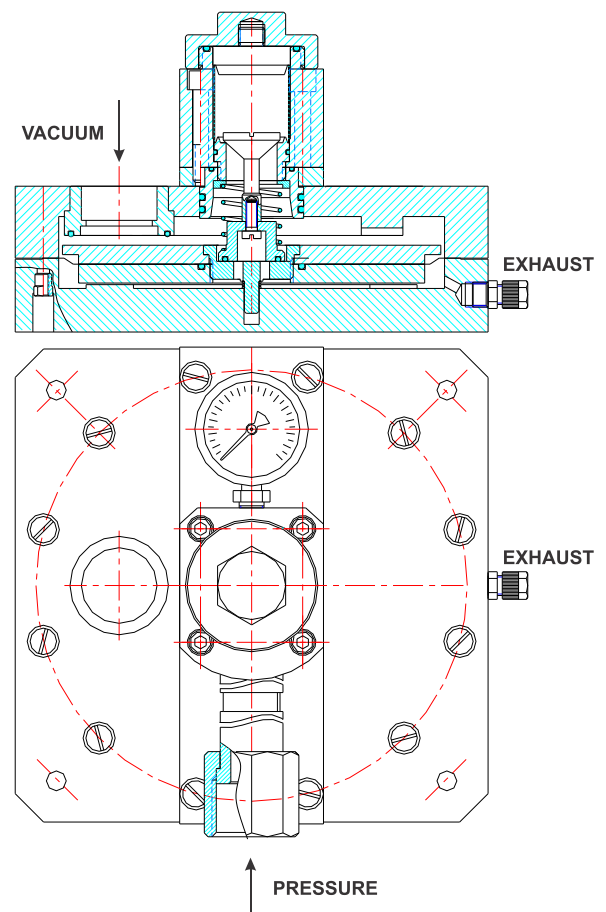
- inlet pressure valve
- regulator head
- pressure gauge

Optionally, they can be equipped with:

- drip-leg and heater
- y-strainer
- chlorine gas filter

### OPERATION PRINCIPLE

Gas pressure (Cl<sub>2</sub>) builds up only at the yoke adapter of the regulator. The inlet valve prevents gas from entering the system without control. When the ejector has generated enough vacuum to overcome the force of the check valve, gas chlorine travels along the vacuum line through the flow meter and the rate valve to the ejector, where it thoroughly mixes with water.



ORDER CODES



**M 40 C / X M F T H**

Model ————|  
 Gas type ————|  
 Dosing range ————|  
 Pressure Gauge ————|  
 Filter ————|  
 Drip-leg ————|  
 Heater ————|

**OPTIONS:**  
 -Gas type: "C" - Cl<sub>2</sub>, "CO2" - CO<sub>2</sub>, "S" - SO<sub>2</sub>, "N" - NH<sub>3</sub>  
 -Dosing range\*: is chosen from technical data table below and the suitable number is written into the ordering code  
 -Pressure gauge : yes "M", without it the letter is not written in  
 -Filter: yes "F"; if selected, then drip-leg "T" and heater "H" can't be present  
 -Drip-leg: yes "T", without it the letter is not written in  
 -Heater: yes "H"; it can only be written in if the drip-leg is present

TECHNICAL DATA



<p><b>Dosing Range(X)* : (in kg/h)</b>  <b>20</b> up to 20  <b>40</b> up to 40</p>	<p><b>Gas types :</b>  <b>C</b> = Cl<sub>2</sub>  <b>CO2</b> = CO<sub>2</sub>  <b>S</b> = SO<sub>2</sub>  <b>N</b> = NH<sub>3</sub></p>	<p><b>Accuracy :</b>                  Within 4% of flow</p> <p><b>Operating range :</b>                  20 : 1</p> <p><b>Weight :</b>                  19 kg</p> <p><b>Dimensions:</b>                  673 x 395 x 179 mm</p>
--------------------------------------------------------------------------------------------	---------------------------------------------------------------------------------------------------------------------------------------------------------	-------------------------------------------------------------------------------------------------------------------------------------------------------------------------------------------------------------------------------------------------

<p><b>Connections</b>  <b>Vacuum (up to 15m):</b>                  20 kg/h – d20 – 3/4"                  40 kg/h – d25 – 1"                  For larger vacuum lines, see table:                  Chlorine vacuum line size requirements</p>	<p><b>Pressure:</b>                  Flange connection D3/4"                  NP16 DN20 (DIN2633)                  from 20 up to 40 kg</p>
------------------------------------------------------------------------------------------------------------------------------------------------------------------------------------------------------------------------------------------------------------------	--------------------------------------------------------------------------------------------------------------------------------------------------------

MEASURE DRAWINGS

